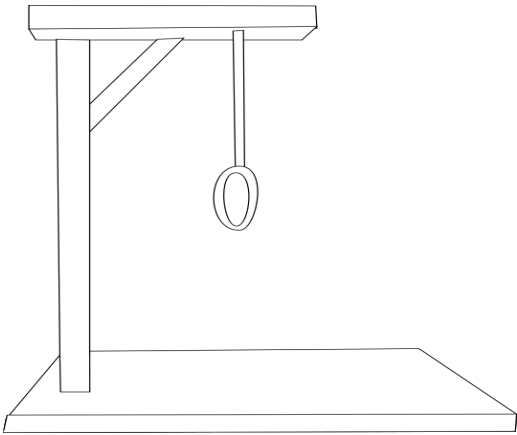


Hangman

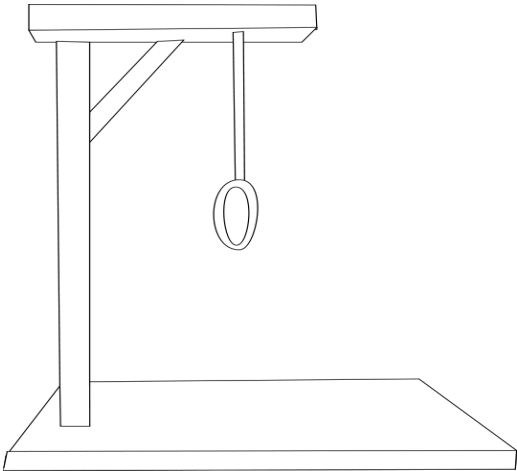
PUZZLE 1



A B C D E F G H I J K L M N O P

Q R S T U V W X Y Z

PUZZLE 2

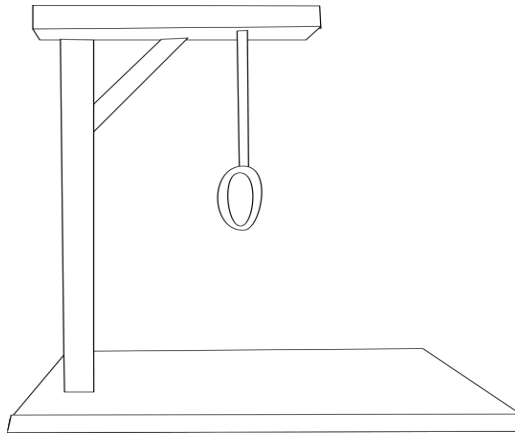


A B C D E F G H I J K L M N O P

Q R S T U V W X Y Z

Hangman

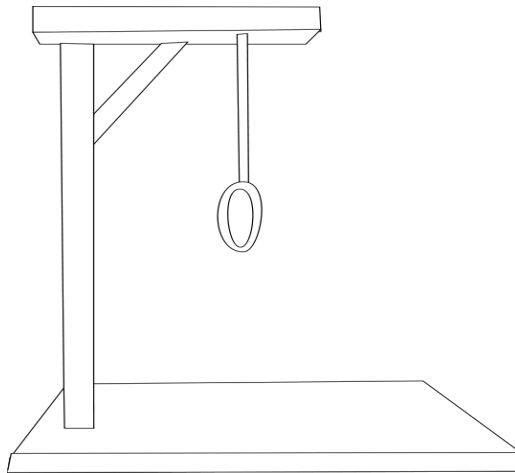
PUZZLE 3



A B C D E F G H I J K L M N O P

Q R S T U V W X Y Z

PUZZLE 4

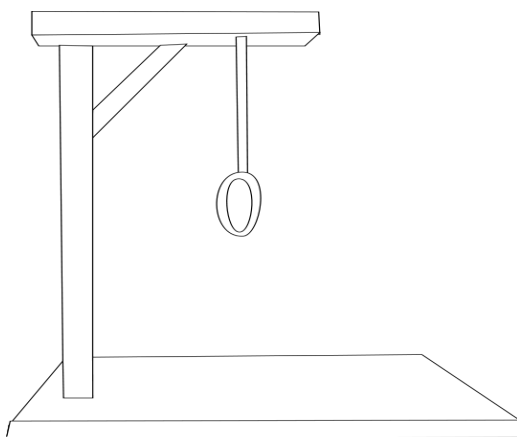


A B C D E F G H I J K L M N O P

Q R S T U V W X Y Z

Hangman

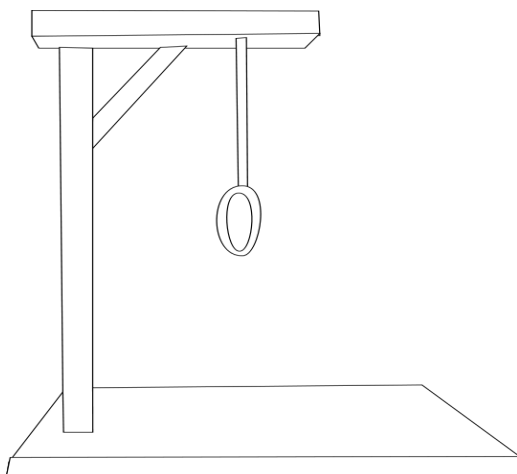
PUZZLE 5



A B C D E F G H I J K L M N O P

Q R S T U V W X Y Z

PUZZLE 6



A B C D E F G H I J K L M N O P

Q R S T U V W X Y Z

ANSWERS:

PUZZLE 1: CHEMISTRY

PUZZLE 2: MATTER

PUZZLE 3: ORGANIC

PUZZLE 4: CARBON

PUZZLE 5: INORGANIC

PUZZLE 6: CHEMIST